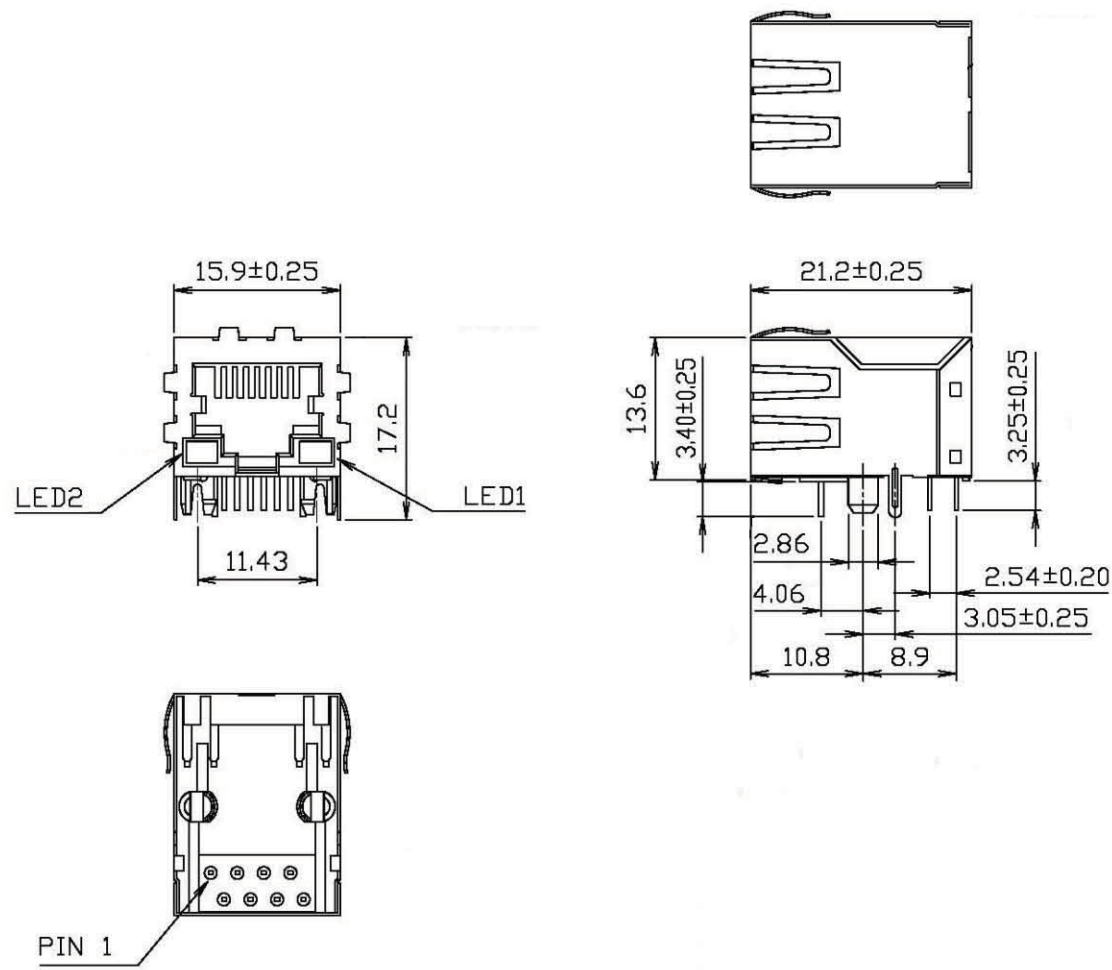


REV.	SPECIFICATION	ECN NO.	APPD.



**Material:**

Housing: Thermoplastic Polyester Glass Filled UL94V-0.

Contacts: Copper Alloy.

Shield: Copper Alloy, Nickel plated.

**Electrical Characteristics:**

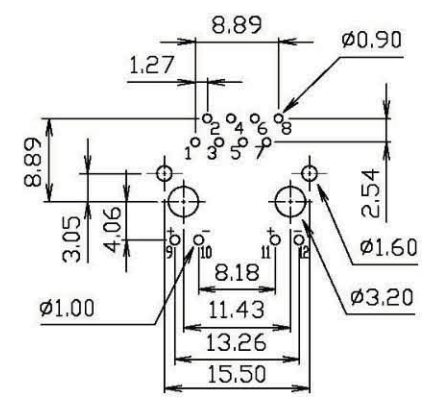
Current Rating: 1.5 AMP.

Insulator Resistance: 1000MΩ min. at DC 500V.

Contact Resistance: 30mΩ max. at DC 100mA.

Operating Temperature: -40°C~+85°C.

**\*RoHS Compliant**



PC Board Layout

8949-D 8 / 06  
 Series 8: 8 Position 8: 8 Contacts 1: 1Port 06: 06u" Gold Plated  
 15: 15u" Gold Plated  
 30: 30u" Gold Plated  
 50: 50u" Gold Plated

S: Shield C: C Type 1 With Grounding

A: LED1: Green, LED2: Yellow B: Black A: Tray Package  
 B: Black A: Tray Package  
 C: LED1: Yellow, LED2: Green  
 D: LED1: Yellow, LED2: Yellow  
 E: LED1: G+Y, LED2: Green

Tolerances 0.0 ± 0.25 0.00 ± 0.13 0.000 ± 0.05	Dwg. No.	S1220120426-01	Title: 8949-D Series Modular Jack With LED	
	Date	2012/04/26		
	Unit	mm		
Drawn By	stanley chen			
				P/N: 8949-D881/06SC1ABA
SHEET				1/1
Ver.No.				X1