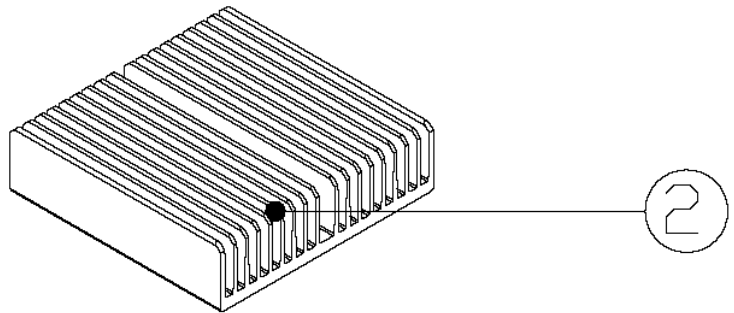
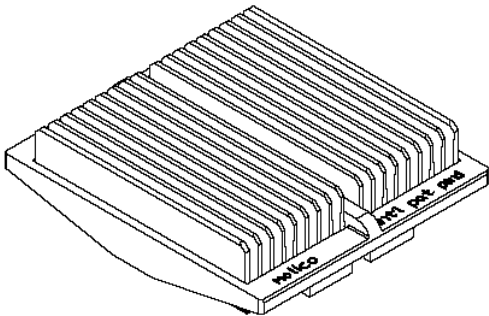
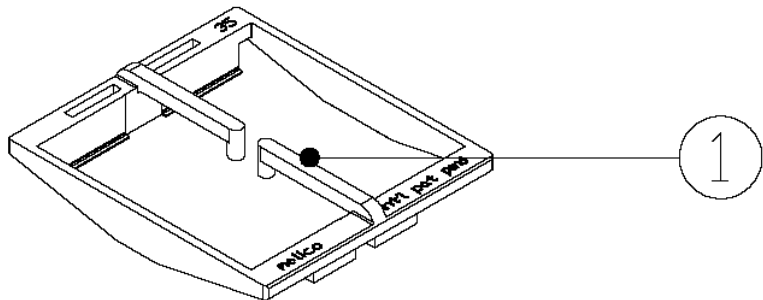



Rev.	Description	Date	Checked
A	new release	08.19.2009	Wen

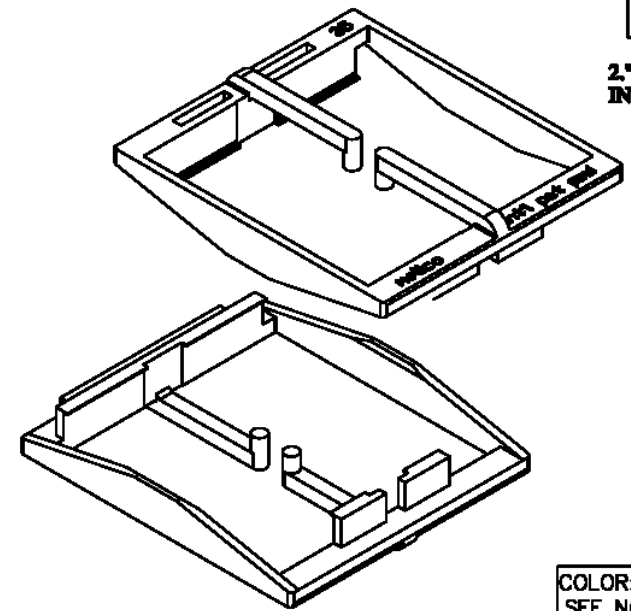
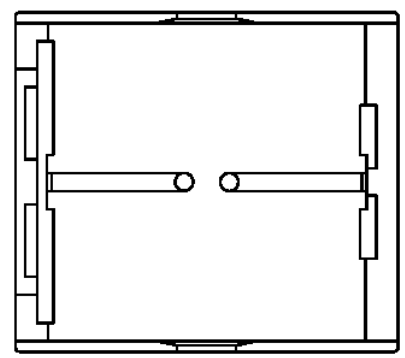
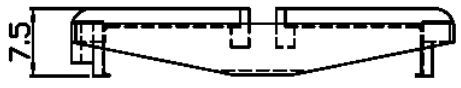
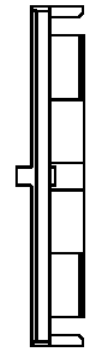
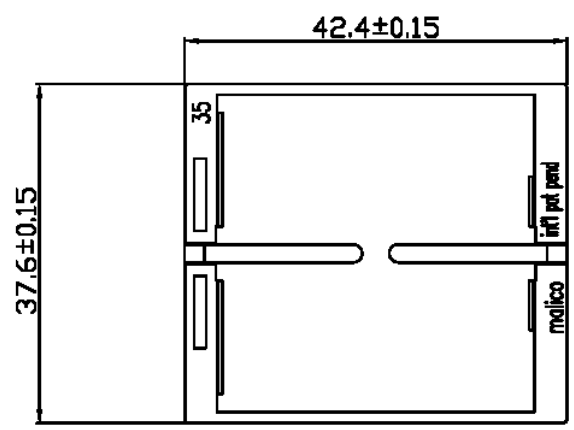


Notes:

Item	Description	Dimension (mm)	Material	Finish / Color	Qty
1	DCLIP042380802-00	42.4 x 37.6 x 7.5	plastic	yellow	1
2	BHBH3135351000-07	35 x 34.5 x 9.5	AL 6063	black anodize	1
3	F002-00093	33 x 33 x 0.13	T725		1

Finish: see notes	 <b>Mega-Chip Electronics Pte Ltd.</b>			
Material: see notes				
Date: 08.19.2009	Approved: Sammy	Checked: Audi	Drawn: Wen	Rev.: A
Title: assembly	Model no. : <b>CEBA3135351001-00</b> (HBA35031-10Y+T725)			

REV	ALTERATION	DATE	CHECKED
A	NEWRELEASE	10.04.2006	Nicole
B	CHANGED STANDOFF DIMENSION	04.20.2007	Nicole
C	Changed the mark on clip	06.12.2007	Kengli
D			
E			




**NOTES:**

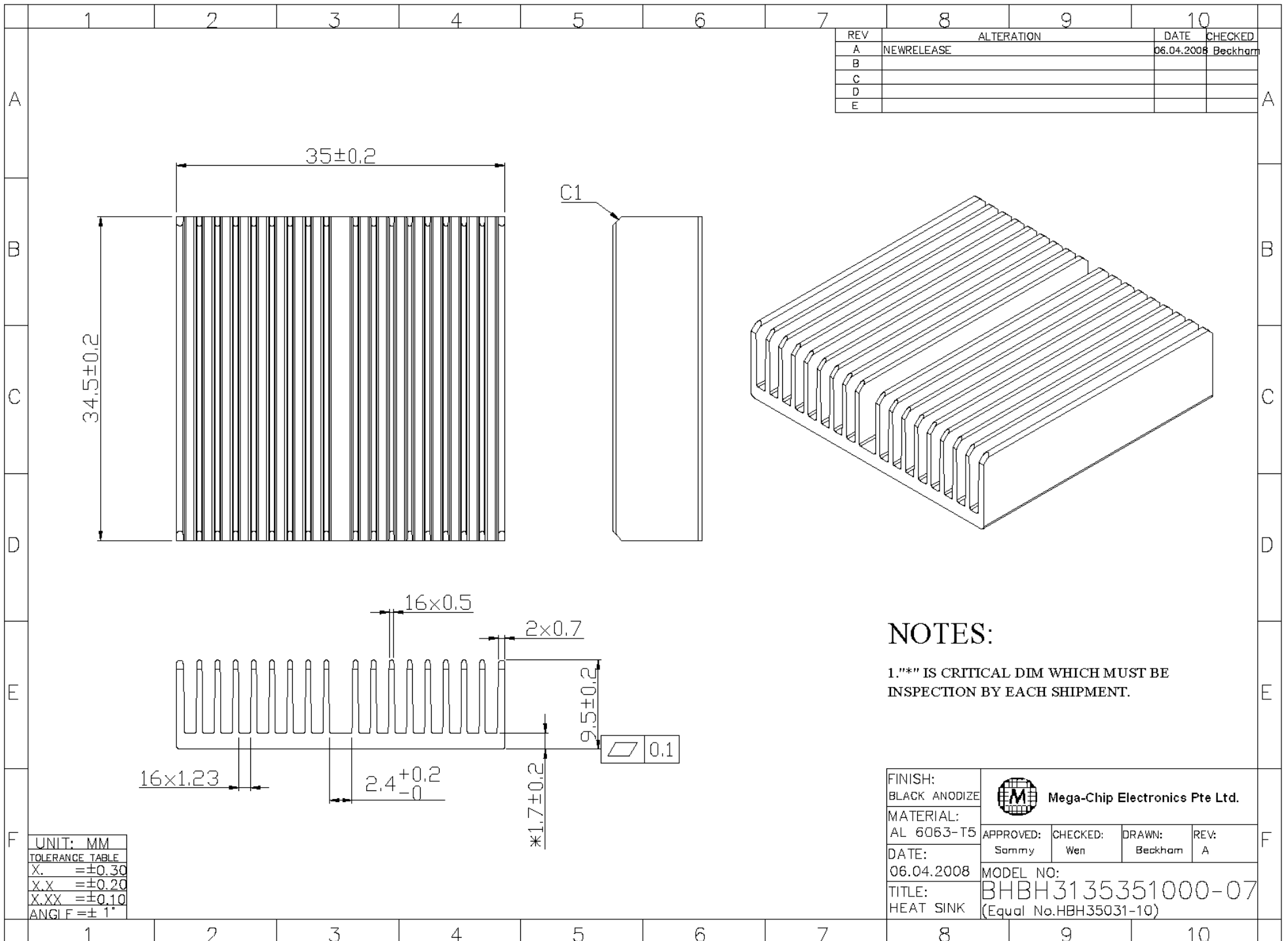
1.

CHIP SET THICKNESS	COLOR/PART NO.
2.1mm-2.6mm	YELLOW / DCLIP042380802-00
1.5mm-2.0mm	BLUE / DCLIP042380800-00
0.9mm-1.4mm	ORANGE / DCLIP042380801-00

2.\*\*\* IS CRITICAL DIM WHICH MUST BE INSPECTION BY EACH SHIPMENT.

UNIT: MM
TOLERANCE TABLE
X. = ±0.30
X.X = ±0.20
X.XX = ±0.10
ANGLE = ± 1°


COLOR: SEE NOTES 1	 Mega-Chip Electronics Pte Ltd.			
MATERIAL: PLASTIC				
DATE: 06.12.2007	APPROVED: Sammy	CHECKED: Audl	DRAWN: Kengli	REV: C
TITLE: CLIP	MODEL NO: <b>DCLIP0423808XX-00</b> (Equal No.BCP4238-08(35))			



REV	ALTERATION	DATE	CHECKED
A	NEWRELEASE	06.04.2008	Beckham
B			
C			
D			
E			

**NOTES:**

1."\*" IS CRITICAL DIM WHICH MUST BE INSPECTION BY EACH SHIPMENT.

FINISH: BLACK ANODIZE	 <b>Mega-Chip Electronics Pte Ltd.</b>			
MATERIAL: AL 6063-T5	APPROVED: Sammy	CHECKED: Wen	DRAWN: Beckham	REV: A
DATE: 06.04.2008	MODEL NO: BHBH3135351000-07			
TITLE: HEAT SINK	(Equal No.HBH35031-10)			

UNIT: MM	
TOLERANCE TABLE	
X.	=±0.30
X.X	=±0.20
X.XX	=±0.10
ANGLE =± 1°	